



B.S.E.ELECTRONIC CO.,LTD

SFAF OBSTRUCTION LIGHT

Compliances:

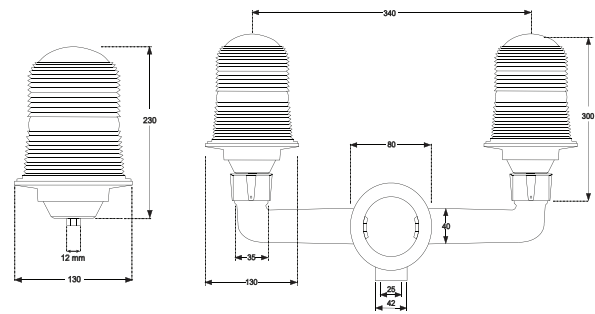
FAA AC 150/5345-43: L-810

FCC Rules and Regulations

Canadian Standards Association (CSA)

ICAO ANNEX 14

Applications: In air traffic control tower , high - rise constructions, marine signal light. In all industries, automatic machinery, textile machinery, to signal start and finish of production cycle, warehouses, showrooms, automatic gates, emergency exits, danger barriers on roads, lifts, discoteques, shops, window displays, fairground games, supermarket. Usually Automatic flasher light.



Dimension

Specification:

- Automatic Flasher lamp with sensor
- Accepts traffic signal lamps with E27 base
- Operating voltage on 120 or 220 Vac 50-60 Hz power supply when used with proper voltage lamp
- Temperature rang at -20 c to + 60 c
- Red color Acrylic lens globes for 360 visibility
- Yellow color ABS base
- Three way junction box cast iron body ; double only
- Threaded hub (3/4- inch) for mounting ; double only

B.S.E. ELECTRONIC CO.,LTD.

TEL: 0-2803-6303-4 FAX: 0-2803-7636

<http://www.bseelectronic.com> ,<http://www.oblight.net>



B.S.E.ELECTRONIC CO.,LTD

SFAF OBSTRUCTION LIGHT

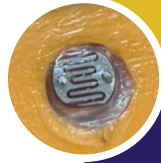
Compliances:

FAA AC 150/5345-43: L-810

FCC Rules and Regulations

Canadian Standards Association (CSA)

ICAO ANNEX 14



sensor
LDR

The ambient light greater than 125 Lux, the lamp does not work.



The ambient light output is less than 31.5 Lux. The lamp starts working.



The sensor will start working at dusk and will stop working when bright.

SINGLE OB.LIGHT

Model	SFAF1220F7E27	SFR1220R14
Volts	220-240 V	220-240 V
Power	7W	14W
Luminous	650	169
Color	Warm	RED
lifetime	20,000	100,000
Screw Base	E27	-



14W



R



7W



W

SINGLE OB.LIGHT

Model	SFAF2220F7E2	SFR2220R14
Volts	220-240 V	220-240 V
Power	7W	14W
Luminous	650	169
Color	Warm	RED
lifetime	20,000	100,000
Screw Base	E27	-



14W



R



7W



W

B.S.E. ELECTRONIC CO.,LTD.

TEL: 0-2803-6303-4 FAX: 0-2803-7636

<http://www.bseelectronic.com> ,<http://www.oblight.net>