



B.S.E.ELECTRONIC CO.,LTD

48BC OBSTRUCTION LIGHT

Compliances:

FAA AC 150/5345-43: L-810

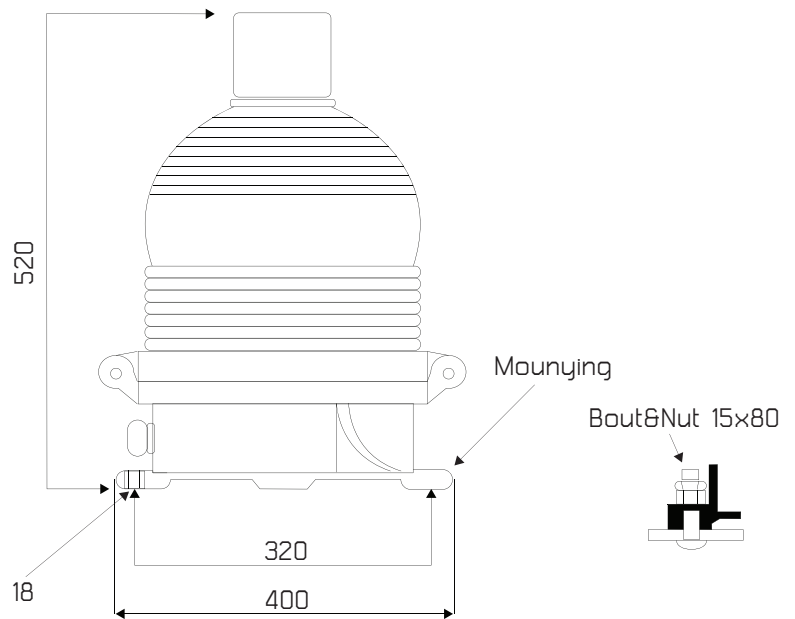
FCC Rules and Regulations

Canadian Standards Association (CSA)

ICAO ANNEX 14

Applications

The FCB flashing red beacon is used to mark tall structures that present hazards to air navigation. Application for telecommunication tower, radio tower, tall building, power transmission line etc. ICAO Type B Medium Intensity Aviation Obstruction Light, flashing red light.



Features:

Light source : LED Red lamp, Chip Technology - AllnGap / Gap, and Standard 5 mm (T-1 ¾) Water clear Package

Life time : More than 80,000 hours life average at normal usage.

Input Voltage : Operate at 48 VDC + 10 %

Wattage : 40/30 Watts Maximum

Lens : 300 mm Red Fresnel glass Lenses , Emits 360° focused beam

Body : Base and Frame Cast Aluminum housing with yellow finish Thickness 15 mm .

Protection : IP 65

** Requires an external flasher unit or obstruction lighting controller (Order separately)



B.S.E.ELECTRONIC CO.,LTD

48BC OBSTRUCTION LIGHT

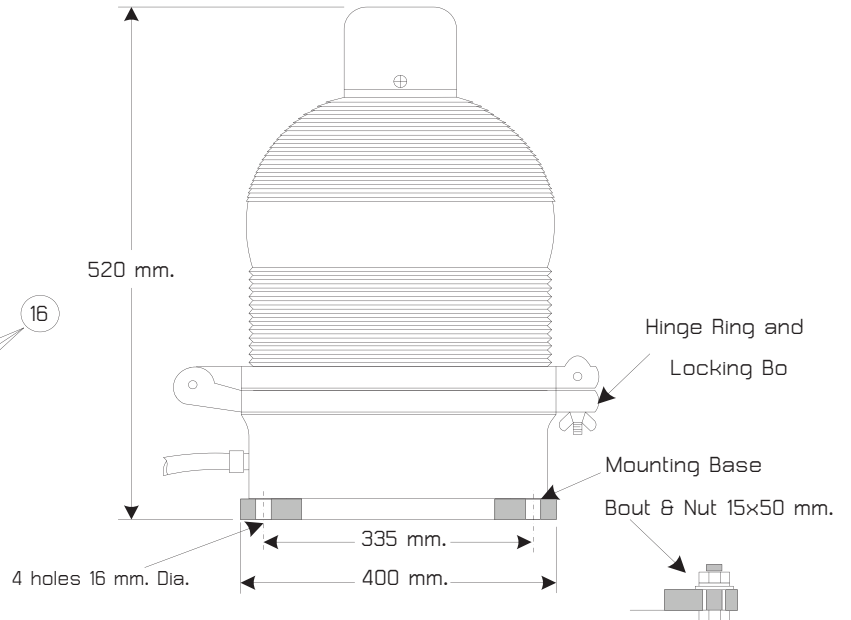
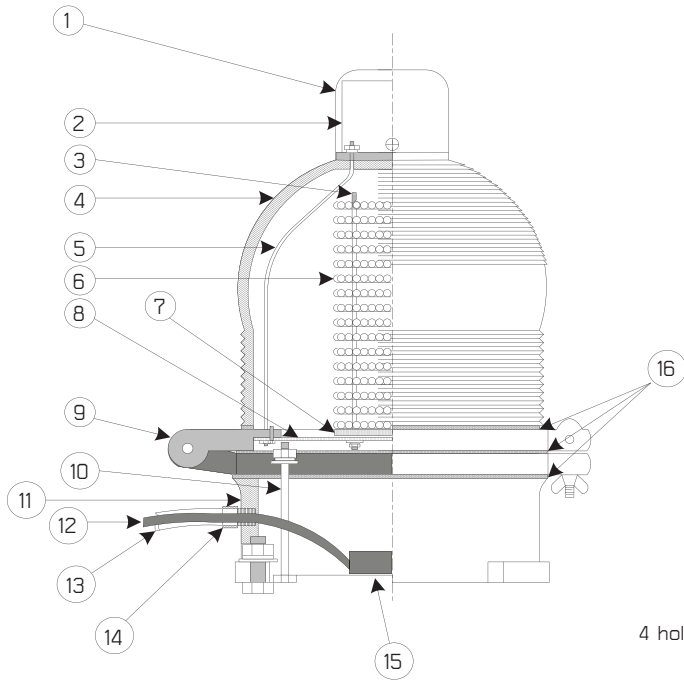
Compliances:

FAA AC 150/5345-43: L-810

FCC Rules and Regulations

Canadian Standards Association (CSA)

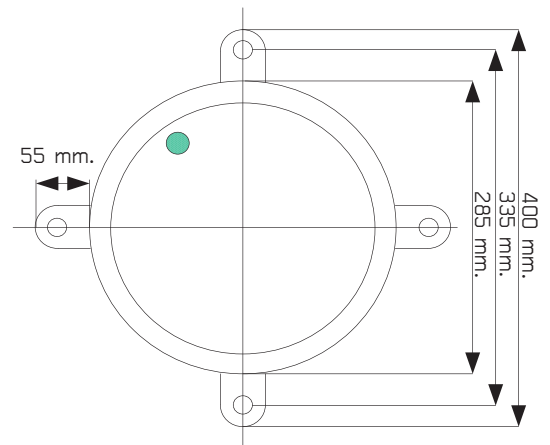
ICAO ANNEX 14



Renewal Parts

Item	Part Number	Description
1.	BC001	Outer Cover (Head Cover) Aluminum
2.	BC002	Inter Cover (Head Cover) Aluminum
3.	BC003	StudStainless M5
4.	BC004	300 mm. RedFresnel Lens
5.	BC005	StudStainless M8
6.	BC006	LED Lamp
7.	BC007	AcrylicPlate
8.	BC008	Aluminum Plate
9.	BC009	Cast Aluminum Base andFrame
10.	BC0010	StudStainless M10
11.	BC0011	Cast Aluminum Base andFrame
12.	BC0012	NY Y 3x2.5Sq.mm. Cable
13.	BC0013	Liquid TightFlexible Conduits3/4"
14.	BC0014	Liquid TightFlexible Connectors3/4"
15.	BC0015	SurgeProtection & Terminal*
16.	BC0016	O-RingSilicone

*PART NO. BC015:SURGE PROTECTION & TERMINAL



B.S.E. ELECTRONIC CO.,LTD.

TEL: 0-2803-6303-4 FAX: 0-2803-7636

<http://www.bseelectronic.com> ,<http://www.oblight.net>



B.S.E.ELECTRONIC CO.,LTD

48BC OBSTRUCTION LIGHT

Compliances:

FAA AC 150/5345-43: L-810

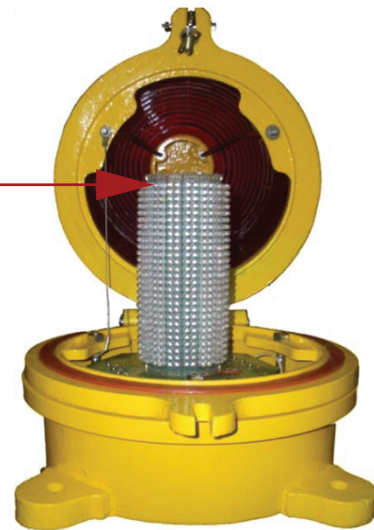
FCC Rules and Regulations

Canadian Standards Association (CSA)

ICAO ANNEX 14

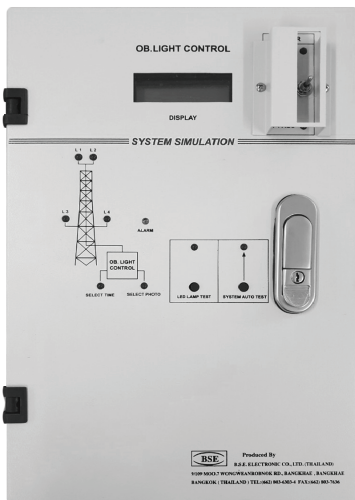
SINGLE OB.LIGHT

Model	48R30BC	48R40BC
Volts	48VDC	48VDC
Power	30W	40W
Intensity	8,311 cd/m ²	5,670 cd/m ²
Color	RED	RED
lifetime	70,000	70,000
Screw Base	Screw Base	Screw Base



Color LED
RED

OB.LIGHT CONTROL



Example picture of control cabinet

Operation mode

1. By Pass Mode, the Ob. Light bulb will turn on immediately (direc-power from the power supply, not through the controller)
2. Auto Mode Ob. Light will work according to the command of the control system (Timer/Photo).
3. OFF Mode Turn off the machine, do not supply power to the system.

Control system to turn on-off Ob. Light (by controlling to start working at dusk and stop working in the morning)

1. Use the timer to control the on-off.
2. Used in conjunction with Photo LDR to control on-off (Optional) is able to program Choose to use at the control cabinet

: There is an alarm system of lamps on the top of the pole in case of each line connecting more than 1 OB. Light bulbs. Alarm sending. Lamps must be torn half of all lamps connected to each line, ready to be able to check the Alarm on the LCD screen, LED lamps. Front of the control cabinet and terminal location of Alarm contact

*****The user must have the number of use of the lamp. Due to the control cabinet has many models.**